

**Alan Wildman**

**From:** Mark Roffers <mark@mdroffers.com>  
**Sent:** Thursday, September 21, 2017 3:17 PM  
**To:** Alan Wildman  
**Subject:** RE: Accessory Building Height

Hi Alan-

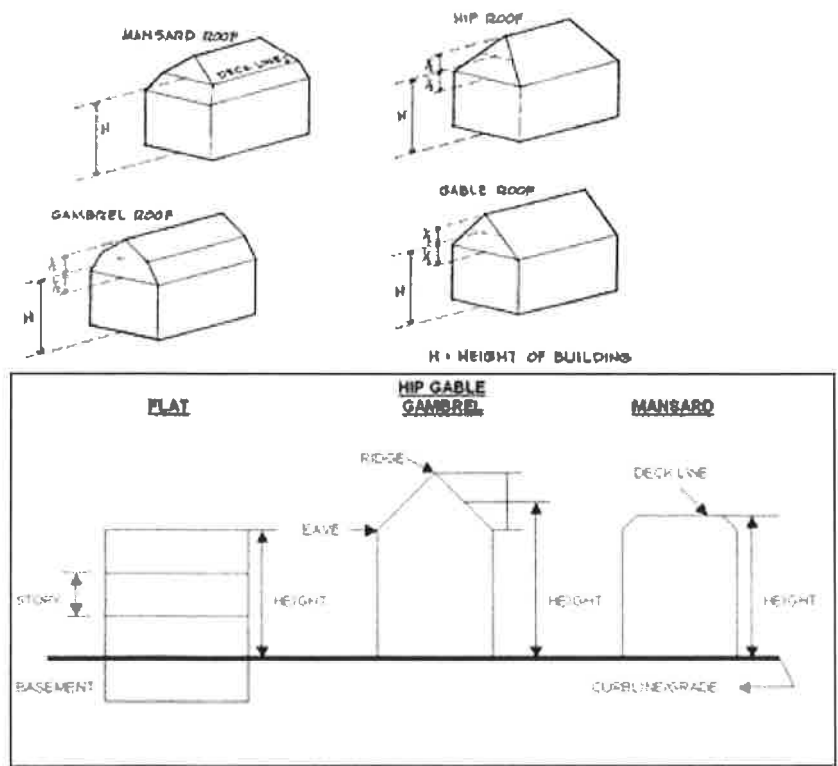
Yes.

Mark

**From:** Alan Wildman [mailto:awildman@wppienergy.org]  
**Sent:** Thursday, September 21, 2017 12:45 PM  
**To:** Mark Roffers Work (mark@mdroffers.com)  
**Subject:** Accessory Building Height

Hello Mark –

For my own clarification, do the below graphics represent the definition of building height (Sec. 10-1-0104)?



Alan R. Wildman, II  
Village Administrator  
Village of Prairie du Sac  
335 Galena Street  
Prairie du Sac, WI 53578  
(608) 643-2421